

ASSEMBLY DRAWING



E-MARS

ELECTRIC RGB GAMING DESK

COUGAR E-MARS equips electrical and motorized units to achieve the best ergonomic gaming desk. The easy and height adjustment releases the pressure of the lower body and protects your health after a long session of gaming. The spacious desktop with dazzling RGB effects creates an immersive gaming experience. Not just a gaming desk, COUGAR E-MARS is a dream piece of furniture for all generations.

- FEATURES**
- ELECTRICAL HEIGHT ADJUSTMENT
 - DUAL-MOTOR FOR BEST RELIABILITY
 - FOUR HIGH MEMORY SETTINGS
 - SAFETY BRAKE DURING ADJUSTMENT
 - RGB LIGHTING WITH SYNCHRONIZATION
 - HDMI TO TYPE-C MONITOR EXTENSION
 - EASY PC BACK-PANEL I/O EXTENSION
 - TIDY CABLE MANAGEMENT

- РУССКИЙ**
- Регулировка высоты с помощью электропривода
 - Два двигателя для повышенной надежности
 - Четыре настройки высоты
 - Предохранительный тормоз во время регулировки
 - RGB-подсветка с синхронизацией
 - Подключение монитора с портами HDMI к порту Type-C
 - Удобные порты ввода-вывода на задней панели
 - Удобная укладка кабелей
- Francais**
- Réglage électrique de la hauteur
 - Double moteur pour une fiabilité optimisée
 - Quatre réglages de mémoire de hauteur
 - Frein de sécurité pendant le réglage
 - Eclairage RVB avec synchronisation
 - Extension de moniteur HDMI vers type-C
 - Extension E/S pratique au niveau du panneau arrière du PC
 - Gestion ordonnée des câbles

- PORTUGUÊS**
- Ajuste de altura eléctrico
 - Motor duplo para melhor confiabilidade
 - Quatro configurações de memória de altura
 - Freno de segurança durante o ajuste
 - Iluminação RGB com Sincronização
 - HDMI para Tipo-C para extensão de monitor
 - Extensão conveniente de E/S do painel traseiro do PC
 - Gerenciamento para organização de cabos
- Deutsch**
- Elektrische Höhenverstellung
 - Dualer Motor für optimale Zuverlässigkeit
 - Vier Höhenspeicher-Einstellungen
 - Sicherheitsbremse beim Einstellen
 - RGB-Beleuchtung mit Synchronisierung
 - HDMI-zu-Type-C-Monitorverlängerung
 - Komfortable I/O-Erweiterung der PC-Rückblende
 - Saubere Kabelverwaltung

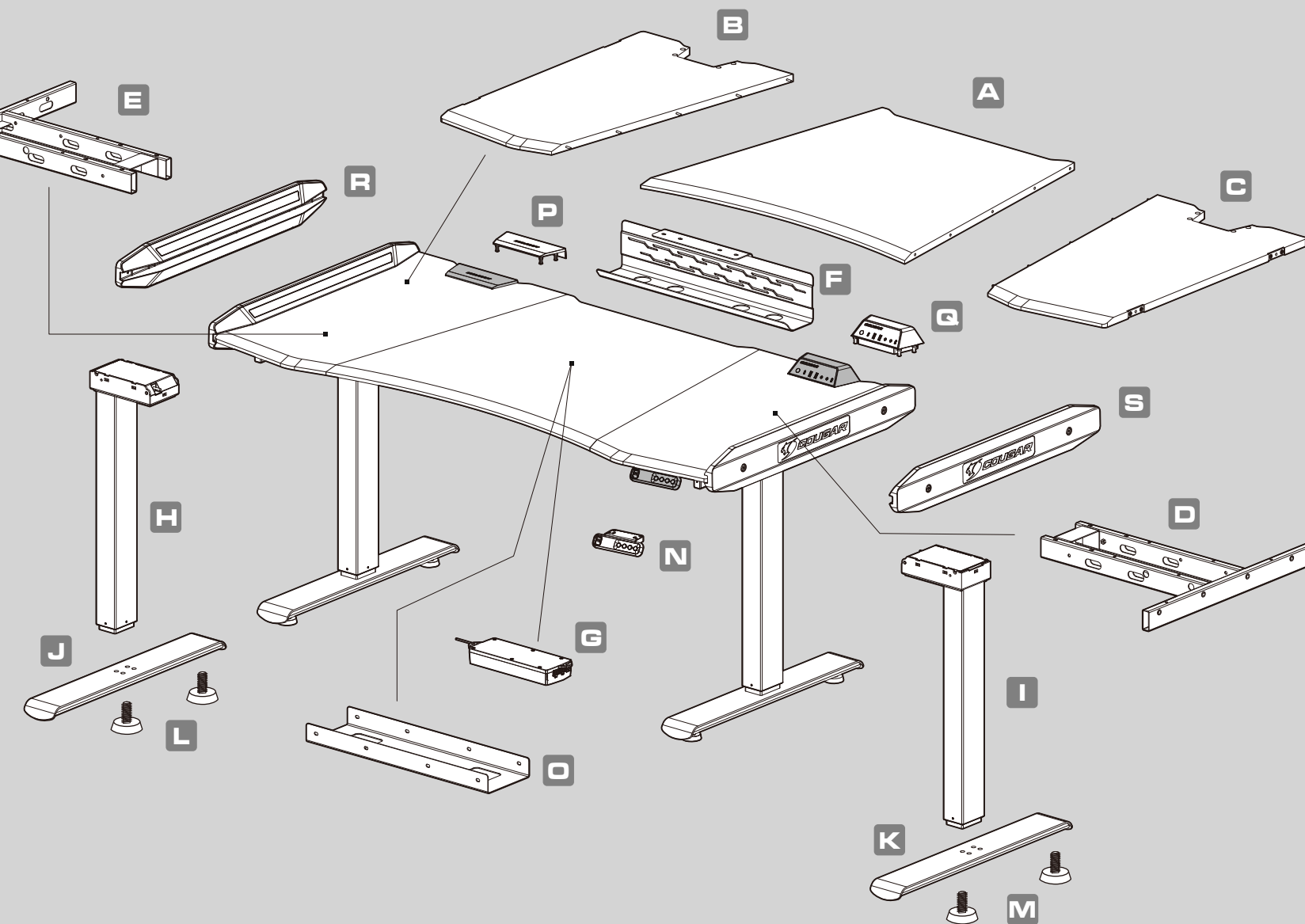
- 한국어**
- 전기 높이 조정
 - 듀얼 모터로 최상의 안정성
 - 4개의 하이드 메모리 설정
 - 조정 중 안전 브레이크
 - 동기화 조명 RGB 조명
 - HDMI와 타입 C 모니터 연결 확장
 - 편리한 PC 후면 패널 I/O 확장
 - 정갈한 케이블 관리
- 日本語**
- 電動の高度調整
 - 最高の信頼性を持つデュアルモーター
 - 4つの高度設定をメモリーへ保存
 - 調整中の安全ブレーキ
 - 同期照明付のRGBライティング
 - HDMIからType-Cへモニター接続を延長
 - PCの背面から便利I/Oを拡張
 - スッキリしたケーブル配線

- ESPAÑOL**
- Ajuste eléctrico de altura
 - Doble motor para mayor fiabilidad
 - Cuatro ajustes de memoria de altura
 - Freno de seguridad durante el ajuste
 - Iluminación RGB con sincronización
 - Extensión de monitor HDMI a Tipo-C
 - Extensión cómoda de E/S en el panel trasero del PC
 - Gestión de cables ordenada
- 中文**
- 电动升降高度调整
 - 双马达稳定设计
 - 四种高度记忆模式
 - 安全紧急停止机制
 - RGB灯光与同步
 - HDMI至Type-C屏幕延伸
 - 便捷的电脑背板端子延伸
 - 易于整理的线缆槽机构

ACCESSORY KIT

Bag # 1		x24
Bag # 2		x8
Bag # 3	3-1	x8
	3-2	x2
	3-3	x2
Bag # 4		x8
Bag # 5		x4
Bag # 6		x4

7-1		x4
7-2		x8
7-3		x1
Bag # 7		x1
Bag # 8		x1
Bag # 9		x1
Bag # 10		x1
Bag # 11		x1



Bag # 12		x1
Bag # 13		x1
Bag # 14		x1
Bag # 15		x1

SPECIFICATIONS

Product Name	COUGAR E-MARS Gaming Desk
Model No.	CGR-E-MARS-B01
PC I/O Panel	HDMI to Type-C for Monitor, USB-A 3.0 Port X2, USB-C Port X1, Headphone 3.5mm Jack, Microphone 3.5mm Jack and Light Switch Button
Voltage Requirement for Electric Adjustment	100~240Vac
Height I/O Panel	Lever and Four Memory Setting Buttons
Height	70cm~115cm

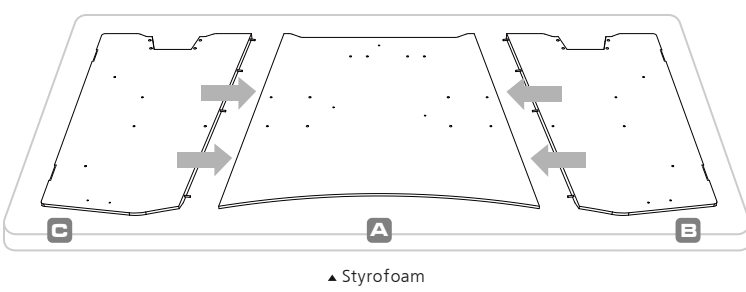
ДАТА ИЗГОТОВЛЕНИЯ ПРОДУКЦИИ
год и месяц изготовления продукции указаны в серийном номере продукта. (существует 2 способа определения даты изготовления, оба способа описаны ниже)
A После S/N: первые две цифры означают год, вторые две – месяц изготовления.
Например, S/N: H170200001 означает, что товар был произведен в феврале 2017 года.
B После S/N: если указаны буквы, то две буквы представляют цифры из таблицы ниже, и означают год, последующие две цифры – месяц изготовления.
Например, S/N: DAG02REV1000001 означает, что товар был произведен в феврале 2017 года.

A	B	C	D	E	F	G	H	I	J
1	2	3	4	5	6	7	8	9	0

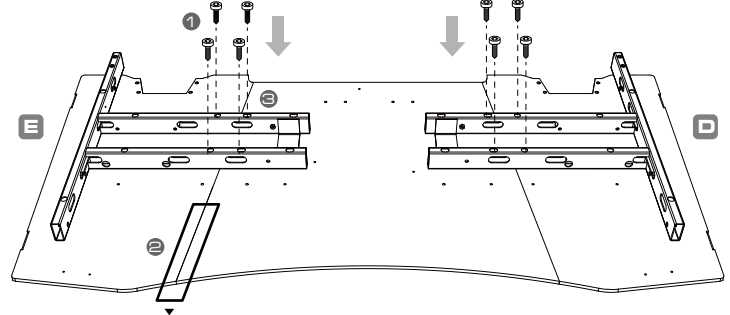
• Например, AG = 17 = 2017 год.

БЪЛГАРИЯ
• Подробни инструкции за употреба изтегнете от: <https://cougargaming.com/bg>
България QR код

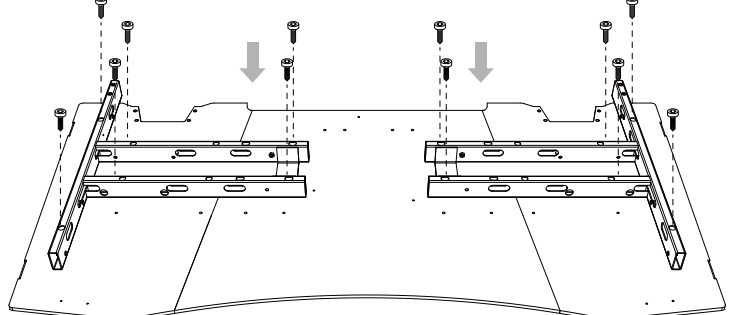
1 Do NOT discard the long Styrofoam in Carton #1. Put the Styrofoam on the ground to avoid the scratch of desktop surfaces.



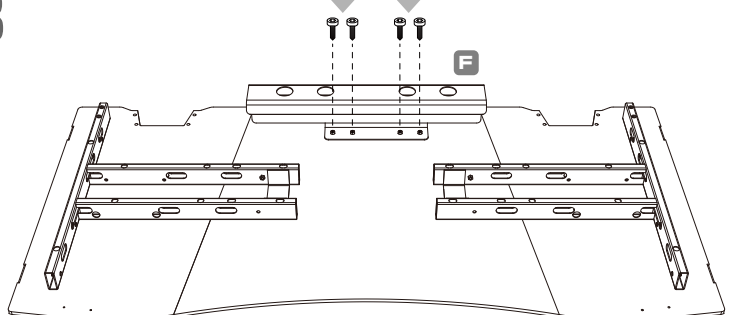
2 Follow the screwing order and screwing in 1/2 depth. Make sure the gap between desktops minimizing. Then screw to the end.



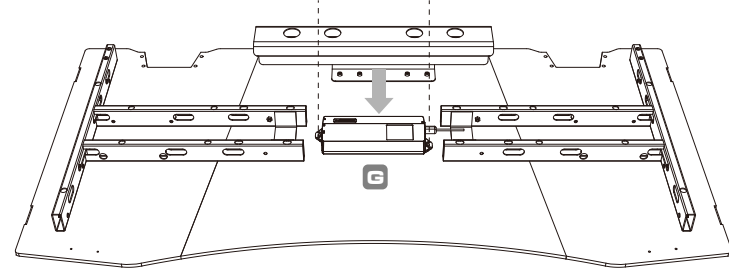
3



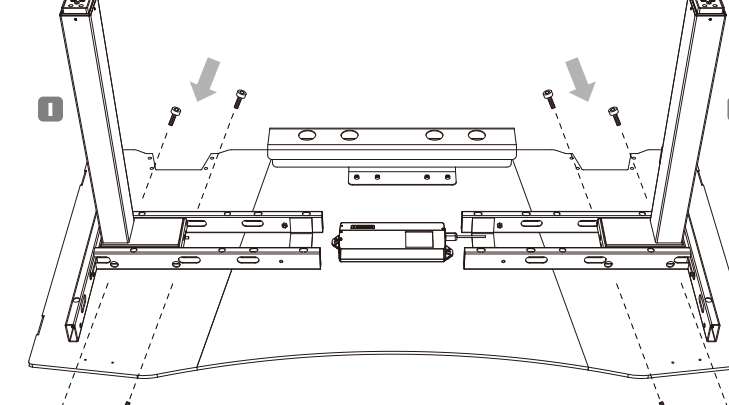
4



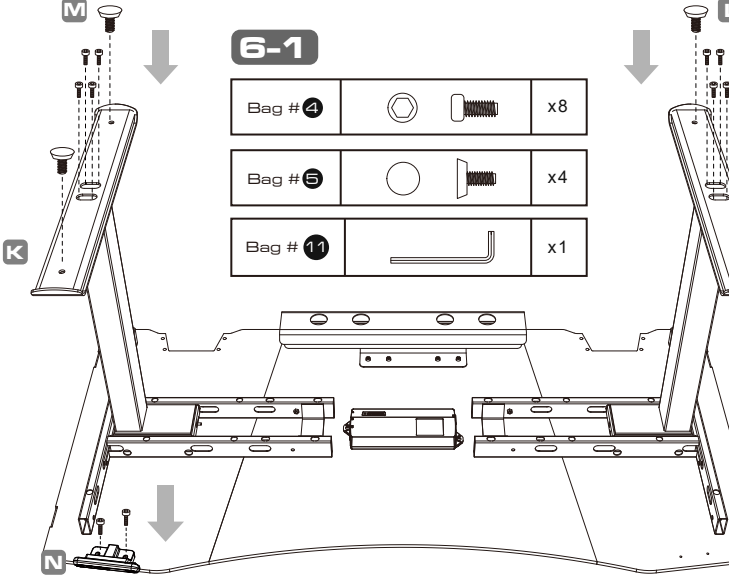
4



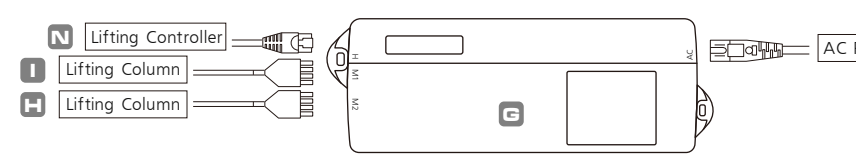
5



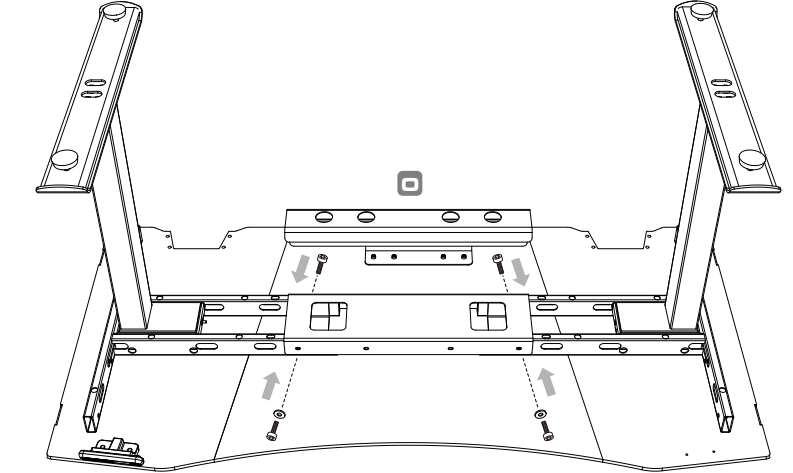
6



7 Connect Lifting Control System and main AC power cord.

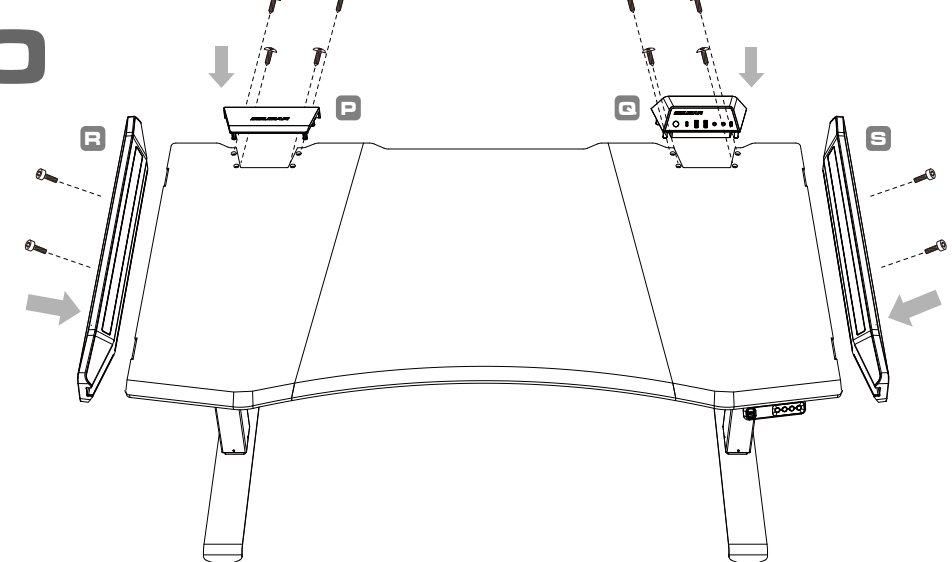


8

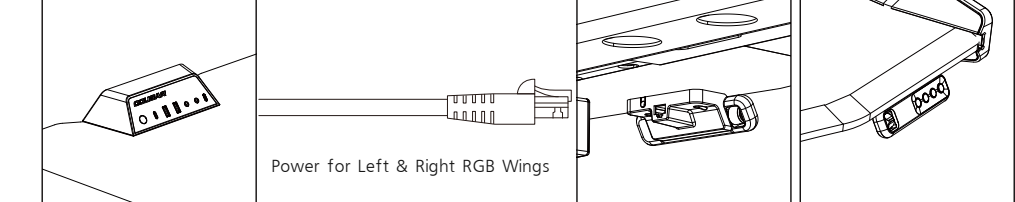


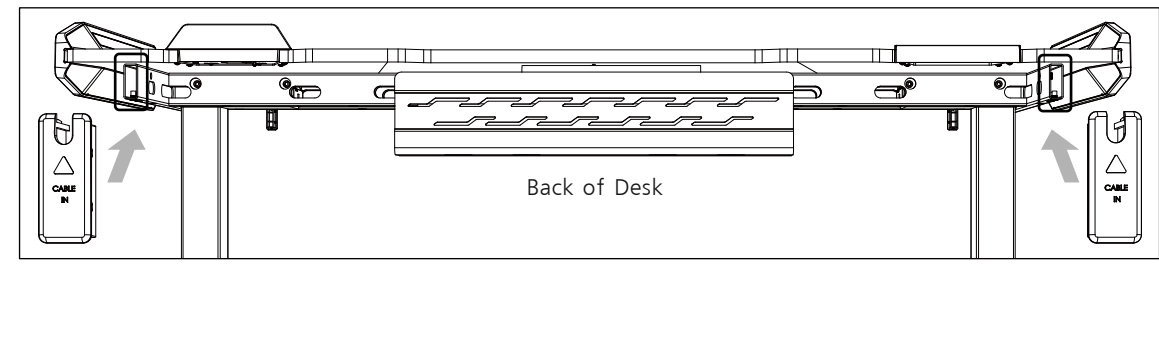
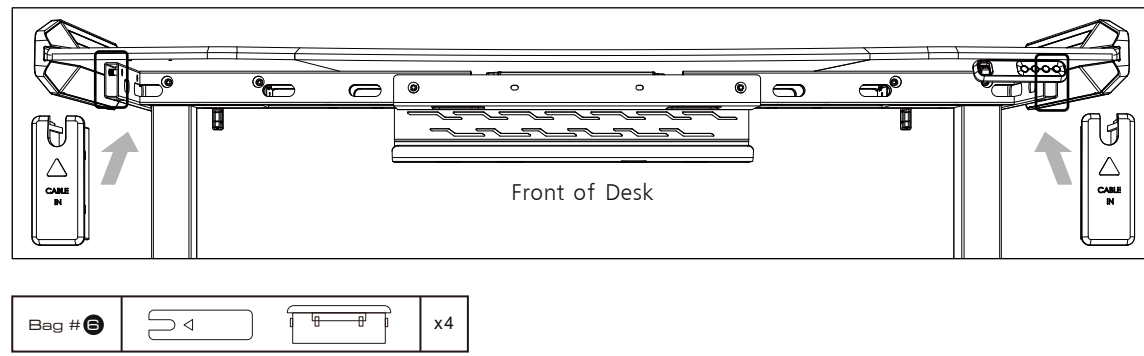
9 Move with 2 people. Flip the desk.

10

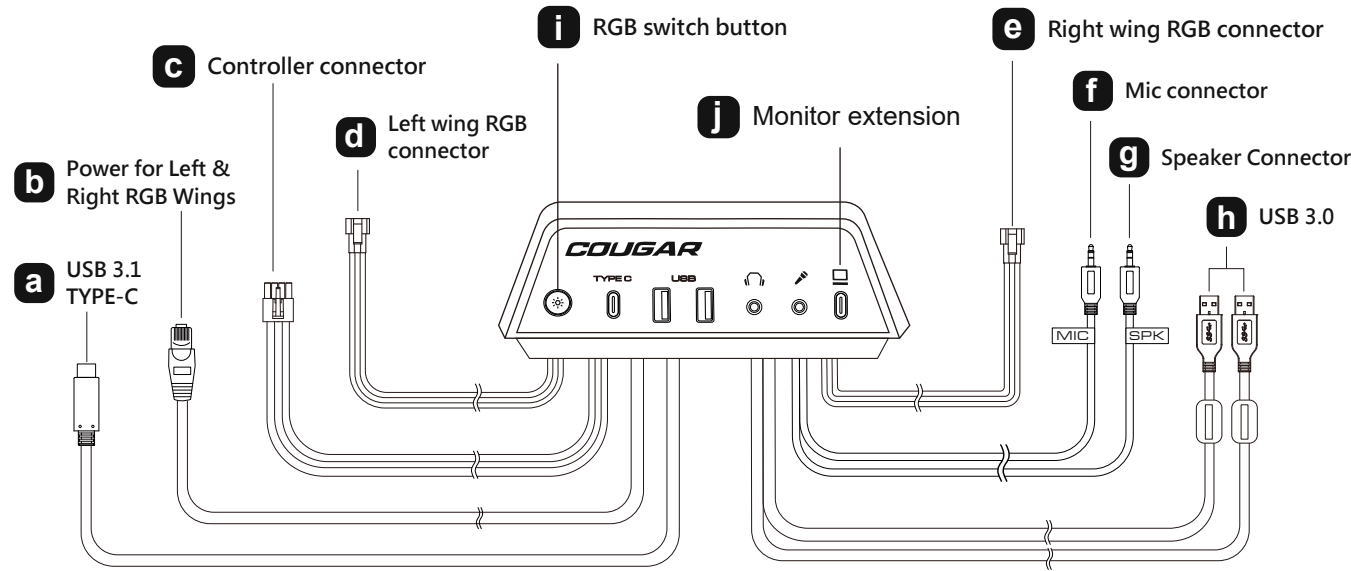


11

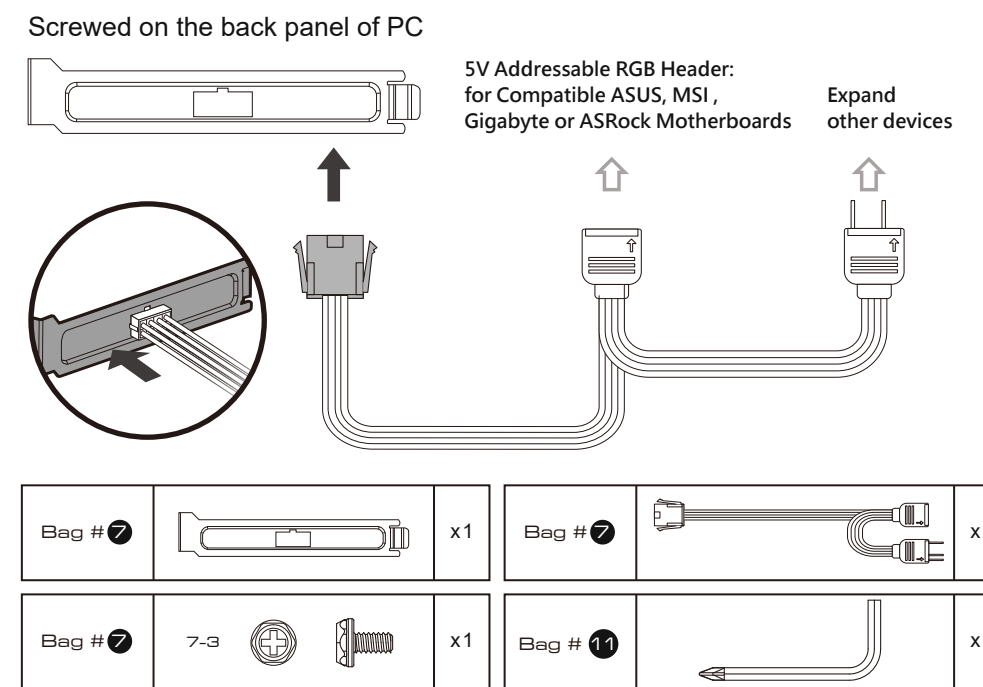
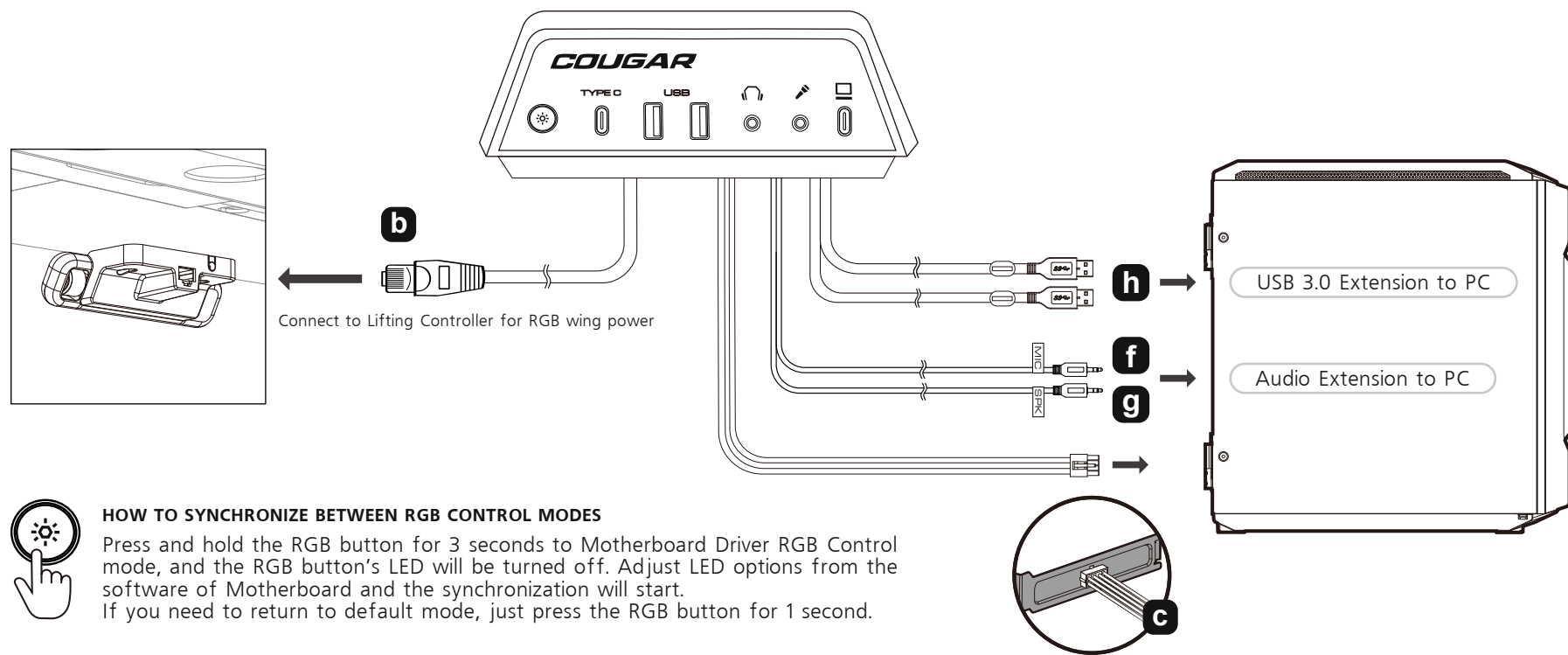
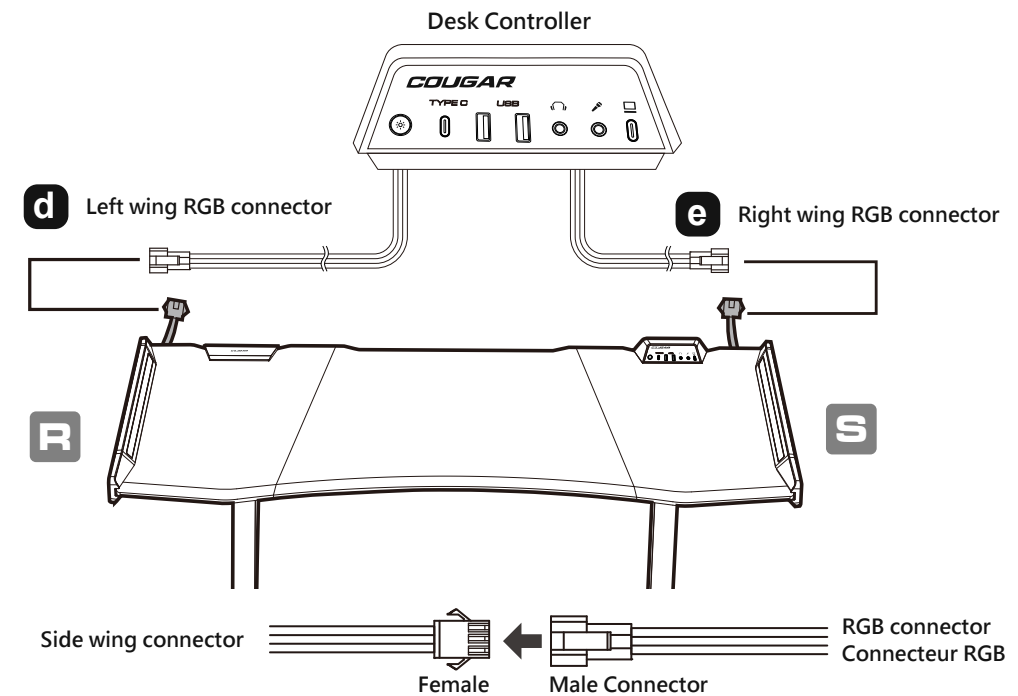




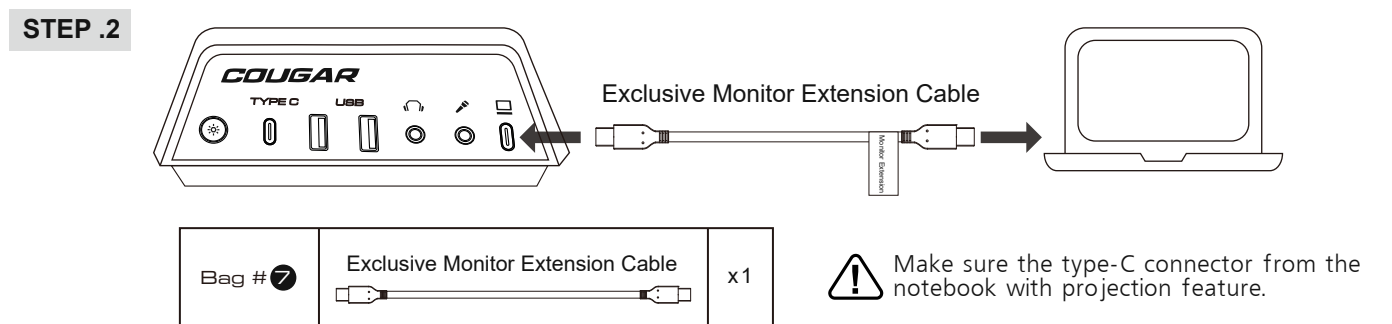
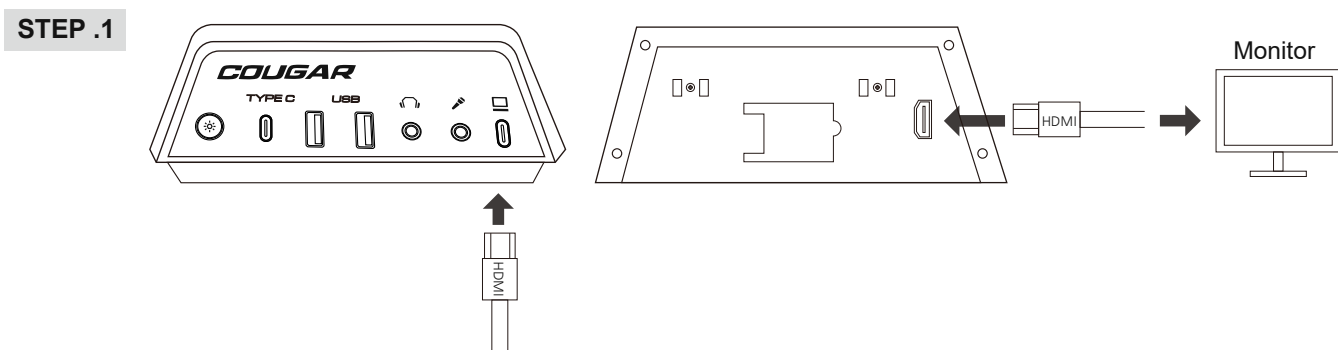
Inputs and Outputs of Desk Controller



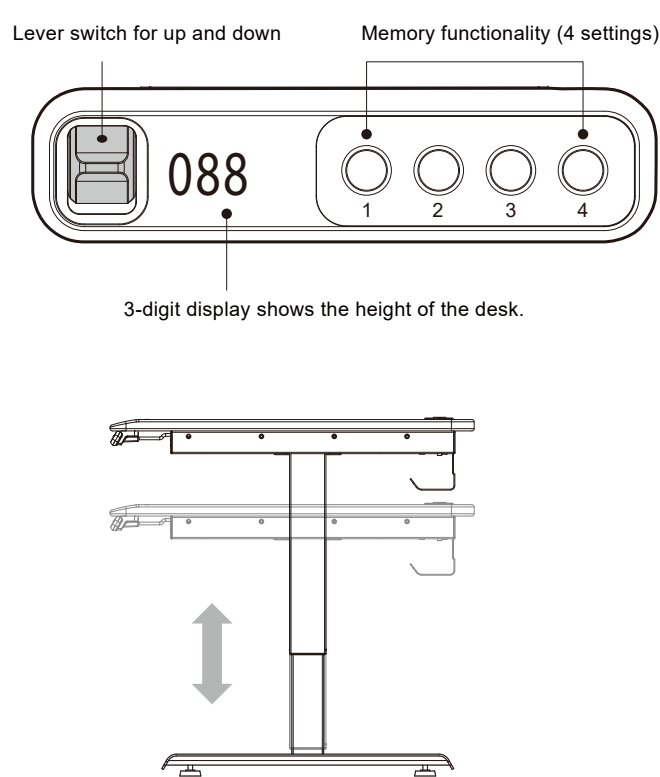
Connecting dual side wing to controller



Connecting Monitor Extension Cable to Notebook



LIFTING CONTROLS



How to start for the first time
For the first time, please conduct the combo buttons by pressing button 3 and 4 simultaneously for 8 seconds. Continue pressing the buttons until both columns are in the lowest position. When finished with the reset, the control box makes a beep sound and the buttons can be released. Then, the display will show starting height.

How to save the preset
Simultaneously press the preferred memory buttons (1,2,3,4) with scrolling down or up lever switch for 3 seconds, once the display shows P1 or P2 or P3 or P4, means the position is memorized. Then, just press button 1,2,3, or 4 to move the desk to memorized position.

TROUBLESHOOTING

Issues(s)	Solution
Desk does not go up or down	Check all connections. Make sure the power cord is plugged into the control box and a power outlet. Unplug the power cord and reconnect after 10 seconds. Reset the desk. If the problem persists, switch motor cables from one port to another at the control box and re-initialize one more time. If you have been using the desk continuously for 2 minutes, non-movement might be due to overheating. Stop using the desk for 10 minutes and let it cool down.
Columns do not go up evenly.	Unplug the power cord and re-plug after 10 seconds. Reset the desk. If the problem persists, switch motor cables from one port to another at the control box and re-initialize one more time.
Desk wobbles pretty excessively.	It is normal that the desk wobbles slightly at standing height when in use. Make sure all the screws are tightened and adjust leveling studs if the floor is uneven.
Desk is unusually noisy	It is normal that the desk is noisier when one stage extends into the other. Apply silicone-based lubricant if it is unusually noisy.

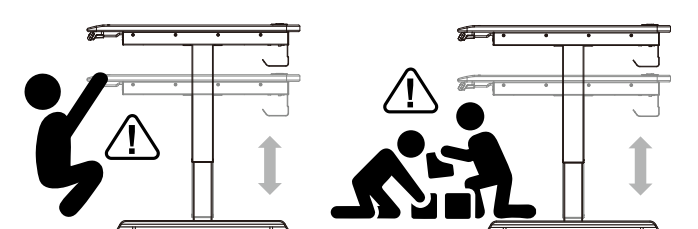
Reset may be needed from time to time in events like non-movement, uneven movement, sudden power outage, over-load, overheat, etc. For most electronic devices, reset is simply a power-off and a power-on. This desk has dual motors. The reset involves more than a conventional power-off and power-on as both motors need to be synchronized. The reset process is the same as initialization. If your desk has a memory controller, press, and hold both UP and DOWN arrow buttons, and release both buttons when 000 appears. If your desk has a basic 2-button controller, press, and hold the UP and DOWN arrow buttons for 3 seconds, and then release both buttons. The desk will first go to the lowest position, then the highest position, and finally stop in between.

ERROR CODE FOR DESK WITH MEMORY CONTROLLER

The digital display shows the error code s below to suggest the issues that users may encounter during the operation.

Error Code	Solution
E00	Not reset completely
E01	Overuse protection
E02	Unbalance protection
E03	Anti-collision
E04	T-touch Protection
E11	M1 Motor over-current protection
E12	M2 Motor over-current protection
E21	No Hall sensor from M1
E22	No Hall sensor from M2
E31	No current from M1
E32	No current from M2

E-MARS featured an automatic safety brake, which is for preventing the careless obstacle in-between or severe shakes while adjusting the heights. However, it is highly suggested to avoid the children underneath or clear the stuff under the table as the height adjustment.



GLOBAL WARRANTY POLICY

WARRANTY PERIODS OF COUGAR GAMING DEVICES
Product : COUGAR E-MARS GAMING DESK
Warranty : 1 Year
This warranty gives you specific legal rights. You may also have other rights granted under local law. These rights may vary.

WARRANTY AGREEMENT
-If the product has defects in material or manufacture, COUGAR will provide product repair and replacement service within the warranty period.
-Our warranty service is based on the date of the invoice or warranty card.

CONDITIONS WHERE FREE MAINTENANCE IS NOT PROVIDED
-Any fault or damage caused by natural disasters (including storm, fire, flood, thunder, earthquake, etc).
-Any fault or damage caused by accidental factors and man-made reasons (including hit, scrape, crash, moving, compression, stain, corrosion, not, misuse, malicious damage, etc).
-Use in an improper operating environment (including high temperature, high humidity, water inflow, etc).
-Inability to provide the product warranty card, purchase receipt or invoice to prove the product is still within the warranty period and the shipping date of the product is out of warranty.
-The warranty card has been altered or its number is hard to identify.
-The warranty period has expired.
-Any fault or damage caused by non-compliance with regulations stated on the user manual or improper, rough and careless treatment.
-Any fault or damage caused by use of parts not certified by COUGAR original manufacturer.
-The problem is caused by improper repair or adjustment by the buyer or any manufacturer without authorization from COUGAR.
-The product is not acquired from an authorized distributor of the company or is acquired from illicit sources.
-Paper carton, instruction and other accessories are not warranted.

DISCLAIMERS
-COUGAR products should not be used as critical components in life support devices.
-COUGAR is not liable for any damage of life and limb or damage or loss of property caused by or during COUGAR products' use as or with medical equipment, military equipment, traffic equipment and disaster prevention systems.
-COUGAR's warranty liability is limited to repair or replacement. The decision on whether to repair or replace belongs exclusively to COUGAR.
-COUGAR is, to the extent not prohibited by law, not liable for any damages; expenses; lost data, revenues, savings or profits; or any incidental or consequential damages happened while the use of a defective product from COUGAR or due to its use.

WARNING
-Please wear protective gloves when assembling the Desk. It is your own responsibility to use appropriate protection to prevent any physical damage.
-Do not use abrasive products or scrub energetically when cleaning. Please stick to gentle products suitable for delicate materials.
-All parts should be checked monthly to confirm their integrity and to make sure that the screws are not loose.
-If any part of the product is or appears to be damaged, missing or loose, please contact the local distributor and do not use the product. WARNING

LEGAL NOTICES

This manual was created by Compucase Enterprise and may not be completely or partially copied, passed on, distributed or stored without written consent by Compucase Enterprise. COUGAR® is a registered brand of Compucase Enterprise Other product and company names mentioned in this documentation may be brands or trademarks of their respective owners. Compucase Enterprise reserves the right to make changes concerning the contents of the manual and the technical data of the product without previous announcement.

MANUFACTURER CONTACT

Compucase Enterprise Co.,Ltd.
No. 225, Lane 54, An Ho Road Sec 2 Tainan, Taiwan, R.O.C
Tel:+886-6-356-0606
Service email : <https://cougargaming.com/support/contact/upload/>
Compucase Enterprise Co.,Ltd. All rights reserved. Made in China

COUGAR USA Technical Service
Tel: (833) 256-3778
Mail: rma@compucaseusa.com

www.cougargaming.com
facebook.com/cougargaming
youtube.com/user/COUGARGLOBAL



Made in China